

SEPAR FILTER

SEPAR 2000

SWK 2000/18

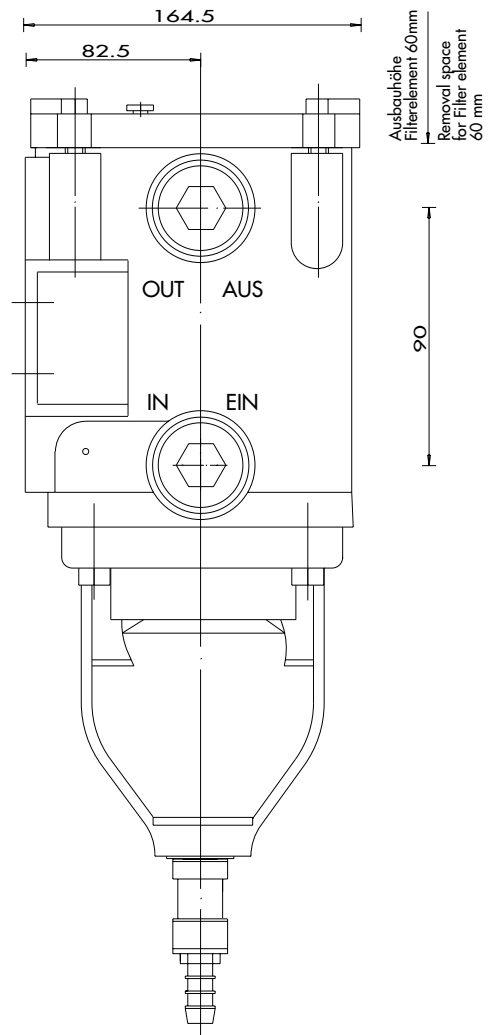
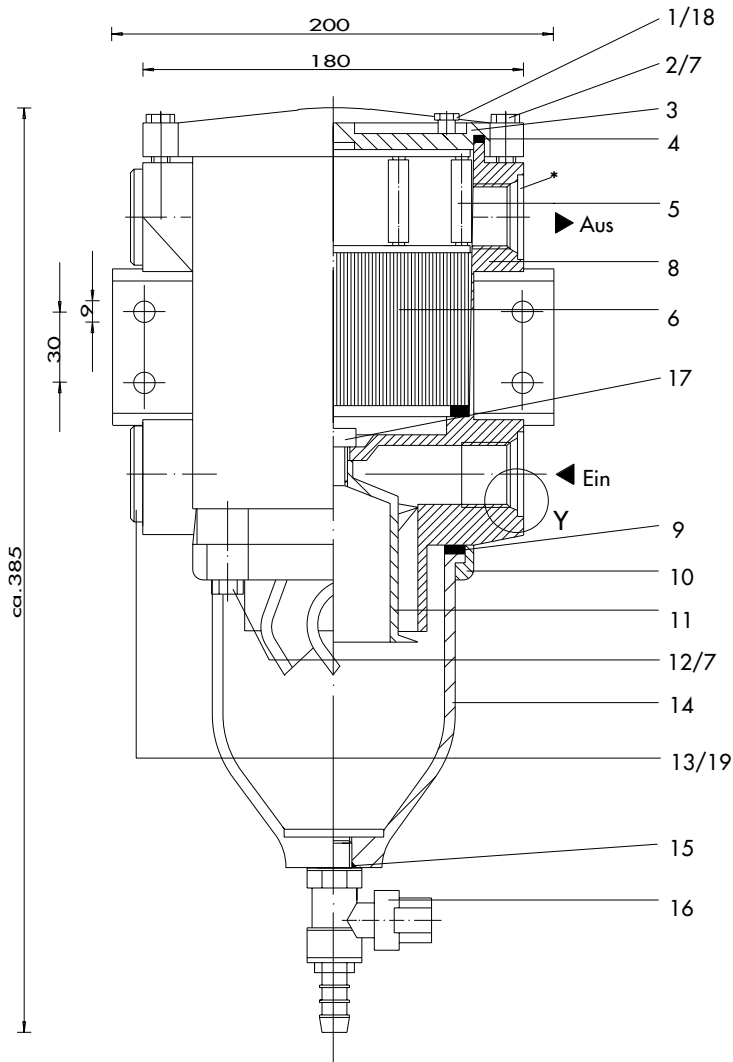


POS.	PARÇA NO ARTICLE NR.	ADET PIECES	PARÇA ADI	DESCRIPTION	POS.	PARÇA NO ARTICLE NR.	ADET PIECES	PARÇA ADI	DESCRIPTION
1	30408	1	Havalandırma vidası	bleed valve	11	30429	1	Merkezkaç	centrifuge
2	30452	4	Kapak vidaları	srew (lid)	12	30567	4	Hazne vidaları	screw (for bowl retainer ring)
3	30572	1	Üst kapak	lid	13	30705	2	Kör tapa	blind screw
4	30421	1	Üst kapak contası	lid (gasket)	14	30986	1	Plexi hazne	bowl
5	30298	1	Yaylı kaset	spring cassette	15	30472	1	Conta	gasket
6	01830	1	Filtre elemanı	filter element	16	30343	1	Tahliye vanası	drain cock
7	30448	8	Pul	washer	17	30560	1	Merkezkaç vid	screw
8	30428	1	Ana gövde	housing	18	30558	1	Conta Poz. 1	gasket f. Pos.1
9	30423	1	Plexi hazne contası	bowl gasket	19	30721	2	Conta Poz. 13	gasket f. Pos.13
10	30575	1	Hazne sabitleme	bowl retainer ring					

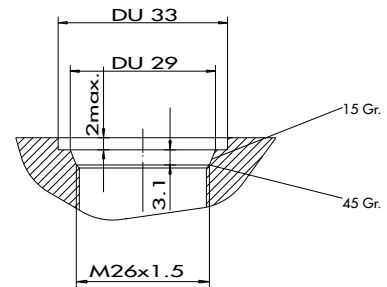
SEPAR FILTER

SEPAR 2000

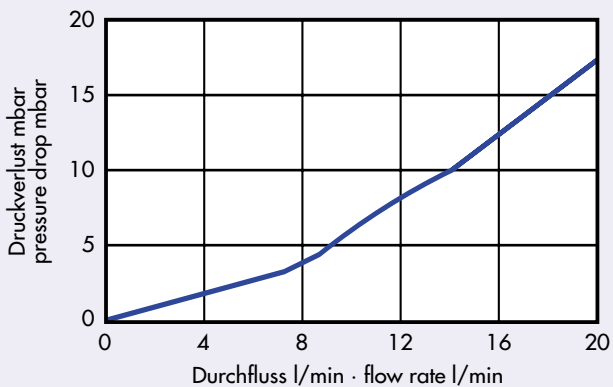
SWK 2000/18



Detail Y



FLUSSDIAGRAMM · FLOW DIAGRAM



Technische Änderungen vorbehalten
We reserve the right to make technical changes without notification

Willibrord Lösing
Filter-Technik



Postfach 86 6009
45517 Hattingen
Essener Straße 108
45529 Hattingen
Telefon 023 24/9 46 00
Telefax 023 24/408 42

Max. Durchflussmenge: 18 l/min Anschlussgewinde: M 26 x 1,5
Max. flow rate: 18 l/min Thread: M 26 x 1,5