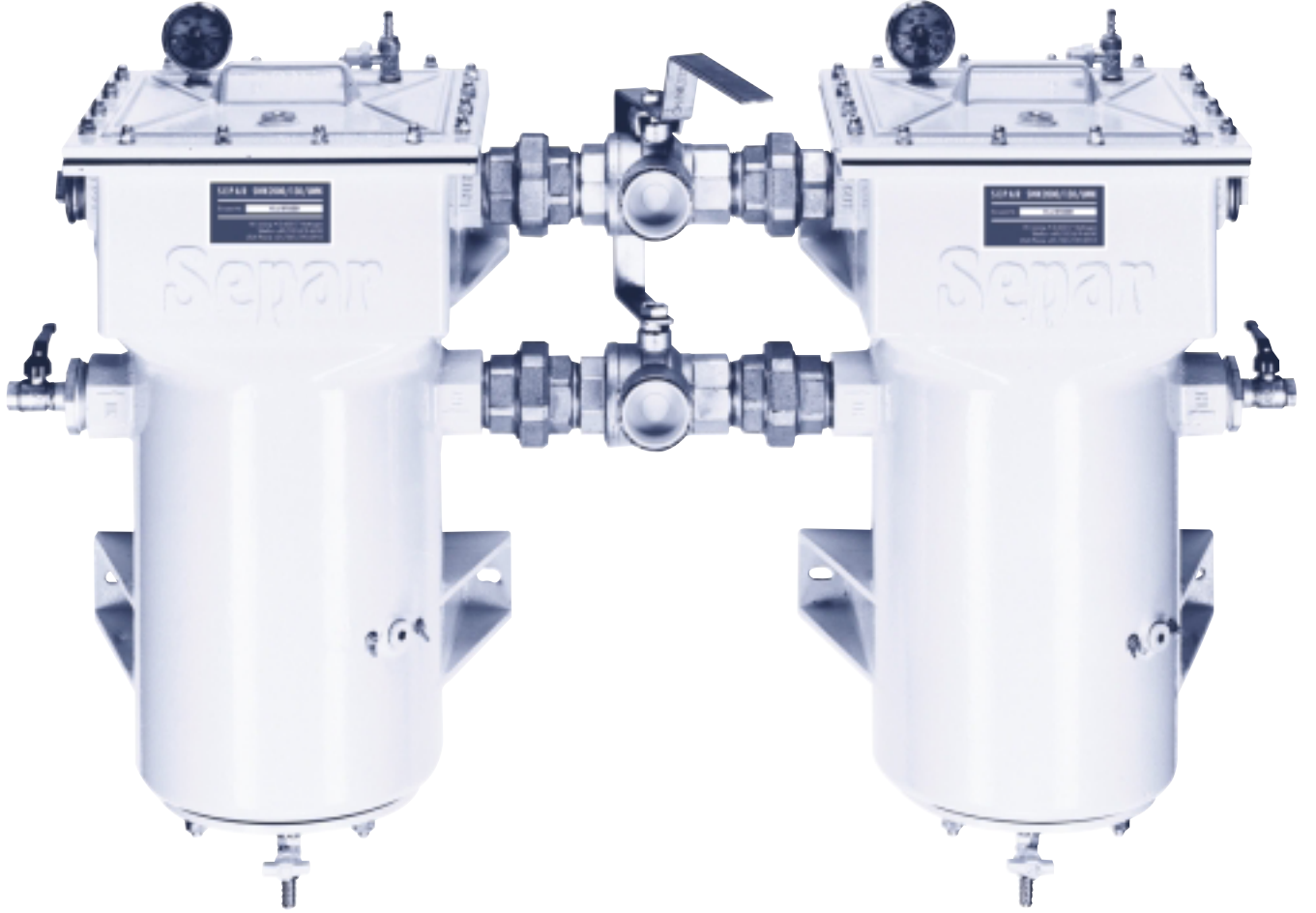


SEPAR FILTER

SEPAR 2000

SWK 2000/130/UMK

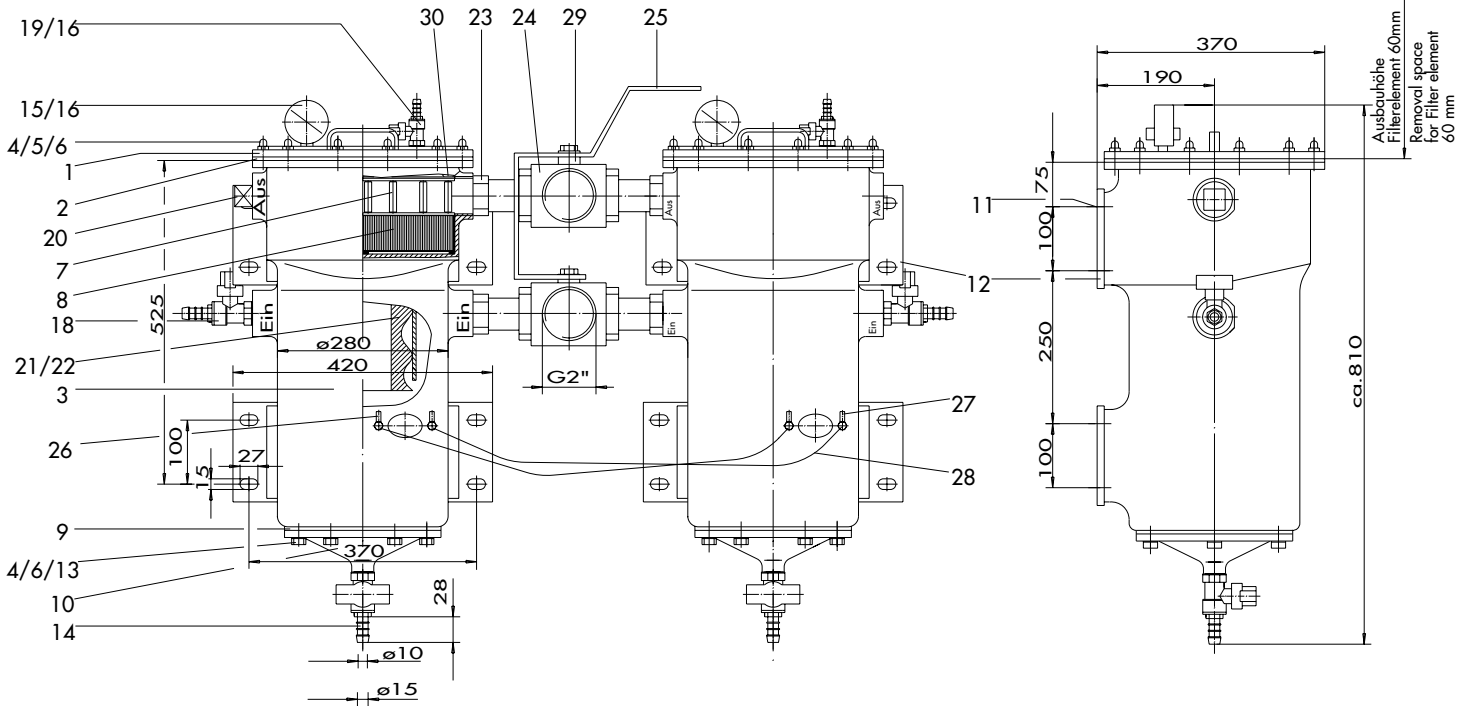


POS.	PARÇA NO ARTICLE NR.	ADET PIECES	PARÇA ADI	DESCRIPTION	POS.	PARÇA NO ARTICLE NR.	ADET PIECES	PARÇA ADI	DESCRIPTION
1	10050	2	Kapak	lid	16	40002	4	Conta	gasket
2	30387	2	Kapak Contası	lid gasket	17	10062	4	Nippel	reducing bushes
3	10133	2	Gövde	housing	18	10074	2	Küresel Vana	ball valve
4	10072	44	Saplama Vida	stud screw	19	30366	2	Havalandırma	bleed valve
5	10073	32	Somun	cap nut	20	10053	2	Tapa	plugs
6	30021	64	Pul	washer 8.4 DIN 125	21	10056	2	Merkezkaç	centrifuge
7	30298	8	Yaylı Kaset	spring cassette	22	10057	2	Vida	fastening screw
8	01830	8	Filtre Elemanı	filter element	23	10058	4	Recor	fitting
9	10136	2	Conta	gasket	24	10043	2	Yön Vanası	reversing valve
10	10135	2	Taban	bottom	25	10059	1	Yön Kolu	reversing lever
11	10138	32	Vida	countersunk head	26	10016	2	Alarm Kontak	water contact (single)
12	10129	4	Braket	mounting plate	27	10017	2	Alarm Kontak	water contact (double)
13	10137	12	Somun	screw	28	10078	1	Kablo	connections wire
14	30456	2	Tahliye Vanası	drain cock	29	10081	1	-	elbow
15	30650	2	Vakumetre	vacuum gauge	30	10022	2	Baskı Plakası	pressure frome

SEPAR FILTER

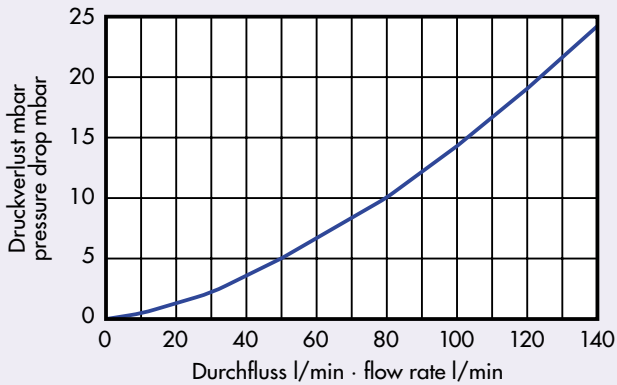
SEPAR 2000

SWK 2000/130/UMK



Linker Filter in Betrieb Rechter Filter in Betrieb

FLUSSDIAGRAMM · FLOW DIAGRAMM



Max. Durchflussmenge: 130 l/min Max. flow rate: 130 l/min
 Anschluss: 2" Rohr Connection: 2" Pipe
 Gewicht: 125 kg Weight: 125 kg

Technische Änderungen vorbehalten
 We reserve the right to make technical changes without notification

Willibrord Lösing
 Filter-Technik



Postfach 866009
 45517 Hattingen
 Essener Straße 108
 45529 Hattingen
 Telefon 02324/94600
 Telefax 02324/40842