

SEPAR FILTER

SEPAR 2000

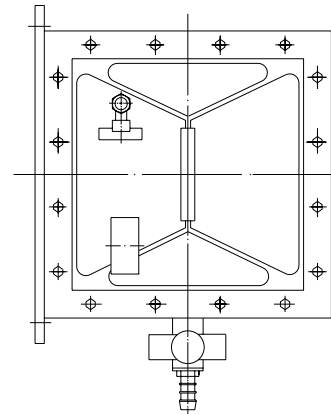
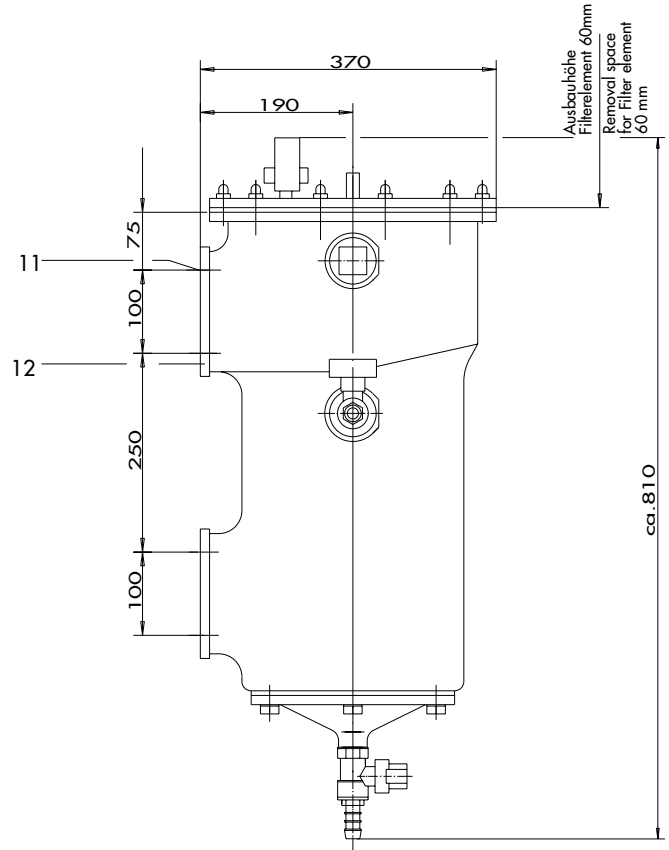
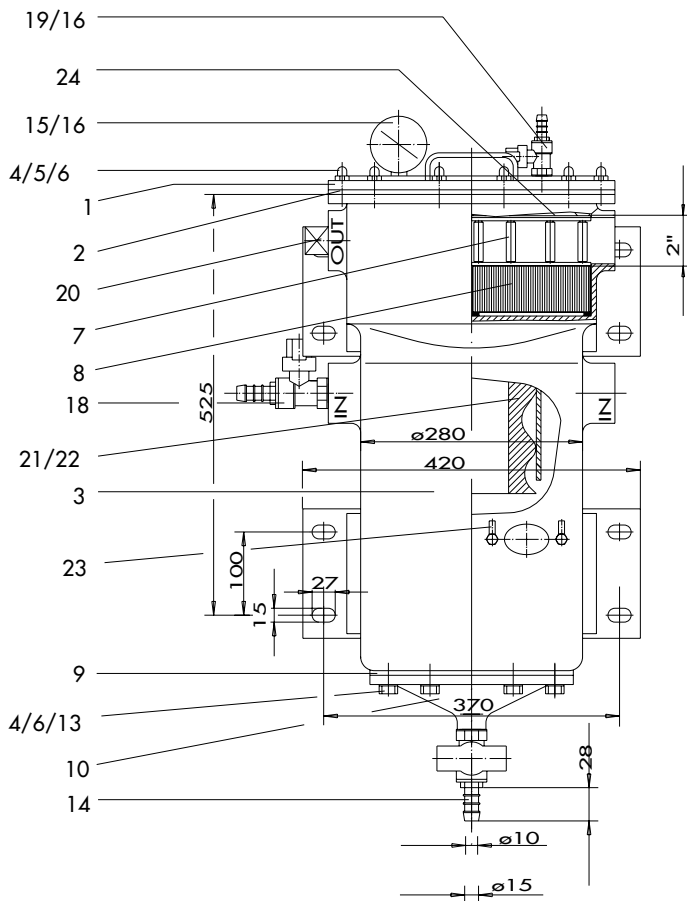
SWK 2000/130/MK



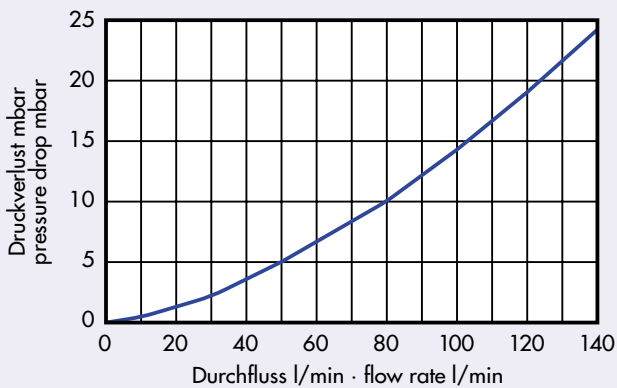
POS.	PARÇA NO ARTICLE NR.	ADET PIECES	PARÇA ADI	DESCRIPTION	POS.	PARÇA NO ARTICLE NR.	ADET PIECES	PARÇA ADI	DESCRIPTION
1	10050	1	Üst Kapak	lid	13	10137	6	M 8 Vida	nut
2	30387	1	Kapak Contası	lid gasket	14	30456	1	Tahliye Vanası	drain cock
3	10133	1	Gövde	housing	15	30650	1	Vakumetre	vacuum gauge
4	10072	22	Saplama Vida	stud screw	16	40002	2	O-Ring	gasket
5	10073	16	Kapalı Somun	cap nut	17	10062	1	Maşon	reducing bushes
6	30021	32	Pul	washer 8.4 DIN 125	18	10074	1	Küresel Vana	ball valve
7	30298	4	Yaylı Kaset	spring cassette	19	30366	1	Havalandırma	bleed valve
8	01830	4	Filtre Elemanı	filter element	20	10053	1	Tapa	plugs
9	10136	1	Conta	gasket	21	10056	1	Merkezkaç	centrifuge
10	10135	1	Taban	bottom	22	10057	1	Vida	fasting screw
11	10138	16	Vida	countersunk head	23	10016	2	Alarm Kontak	water contact
12	10129	2	Braket	mounting plate	24	10022	1	Baskı Plakası	contact pressure cross

SEPAR 2000

SWK 2000/130/MK



FLUSSDIAGRAMM · FLOW DIAGRAM



Max. Durchflussmenge: 130 l/min Max. flow rate: 130 l/min
 Anschluss: 2" Rohr Connection: 2" Pipe
 Gewicht: 50 kg Weight: 50 kg

Technische Änderungen vorbehalten
 We reserve the right to make technical changes without notification

Willibrord Lösing
 Filter-Technik



Postfach 86 6009
 45517 Hattingen
 Essener Straße 108
 45529 Hattingen
 Telefon 023 24/9 46 00
 Telefax 023 24/4 08 42